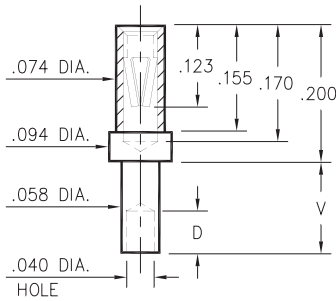


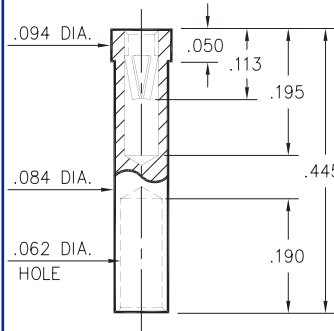
### 0326



| Basic Part Number | Board Thickness | Length V | Depth D |
|-------------------|-----------------|----------|---------|
| 0326-1            | .031            | .062     | .040    |
| 0326-2            | .062            | .094     | .062    |
| 0326-3            | .094            | .125     | .062    |
| 0326-4            | .125            | .156     | .062    |

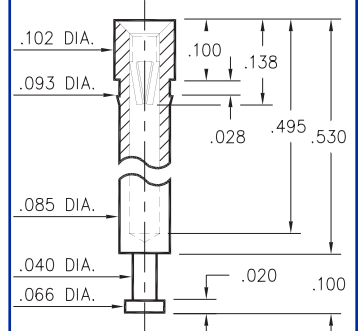
**0326-X-19-XX-06-XX-10-0**  
Swage mount in .060 hole

### 5295



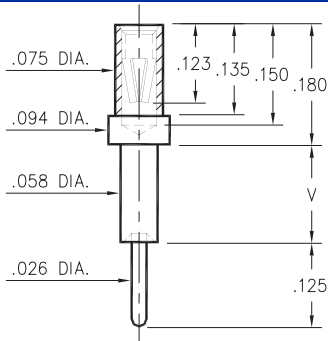
**5295-0-19-XX-06-XX-10-0**  
Solder mount in .086 min. mounting hole

### 0396



**0396-0-15-XX-06-XX-10-0**  
Press-fit in .090 mounting hole

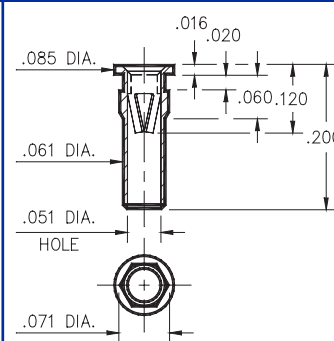
### 0298



| Basic Part Number | Board Thickness | Length V |
|-------------------|-----------------|----------|
| 0298-1            | .031            | .051     |
| 0298-2            | .062            | .082     |
| 0298-3            | .094            | .113     |
| 0298-4            | .125            | .145     |

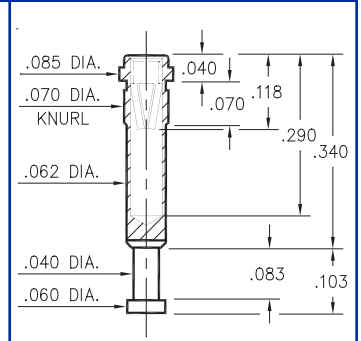
**0298-X-15-XX-06-XX-10-0**  
Swage mount in .060 hole

### 9293



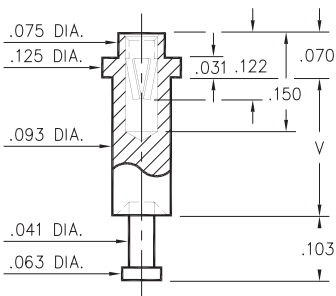
**9293-0-15-XX-06-XX-10-0**  
Hex press-fit in .067 plated thru hole

### 8864



**8864-0-15-XX-06-XX-10-0**  
Press-fit in .067 mounting hole

### 0664



| Basic Part Number | Board Thickness | Length V |
|-------------------|-----------------|----------|
| 0664-1            | .094            | .125     |
| 0664-2            | .125            | .156     |
| 0664-3            | .188            | .219     |

**0664-X-15-XX-06-XX-10-0**  
Swage mount in .096 hole

#### SPECIFICATIONS

**SHELL MATERIAL:**  
Brass Alloy 360, 1/2 Hard

**CONTACT MATERIAL:**  
Beryllium Copper Alloy 172, HT

**DIMENSION IN INCHES**  
**TOLERANCES ON:**  
LENGTHS: ±.005  
DIAMETERS: ±.002  
ANGLES: ± 2°

**ORDER CODE: XXXX - X - 1X - XX - 06 - XX - 10 - 0**

**BASIC PART #** →

**SPECIFY SHELL FINISH:**

- 01 200µ" TIN/LEAD OVER NICKEL
- 80 200µ" TIN OVER NICKEL ◊
- 15 10µ" GOLD OVER NICKEL ◊

**SPECIFY CONTACT FINISH:**

- 01 200µ" TIN/LEAD OVER NICKEL
- 80 200µ" TIN OVER NICKEL ◊
- 27 30µ" GOLD OVER NICKEL ◊



**CONTACT**

#06 CONTACT (DATA ON PAGE 210)